

## Polyvalent Crushing 20 - 45 HP

### Swing Flail Mower RBML115DG30/130DG30

#### Hydraulic Offset Kit DGH30 optional

Microtractor 20 - 45 HP with power grip 540 tr/min

1 double acting control valve for hydraulic kit

Working width 115 and 130 cm

Attelage arrière 3 points cat.1

Delivered with cardan shaft

Gearbox with freewheel

Adjustable offset 30 cm by mechanical indexing

Y - knives width 40 mm thickness 5 mm

Cutting height adjustable from -1.5 to 11cm depending on knife type (Y, hammer, paddles or scarificator)



#### The advantages :

**Substantial fuel savings due to the rotor design**

**Rotor with helical position:** even drive without effort for optimal crush. Big rotor tube : cutting rigidity and inertia, electronic balancing after assembly of knives. Reduced energy consumption and CO2-emission

**High rotation speed:** rotation 2500 tr/min, cutting speed of 42m/s for a perfect cut and crush

**System to avoid grass jam:** no risk of grass winding around the roll

**Curved chassis:** the chassis form and the particular disposition of the back roll optimize the ventilation, ejection and self-cleaning of the roll

**Large opening:** allows to swallow the vegetation without flatten

**Drive:** 2 trapezoidal belts, adjustable tension can be controlled easily

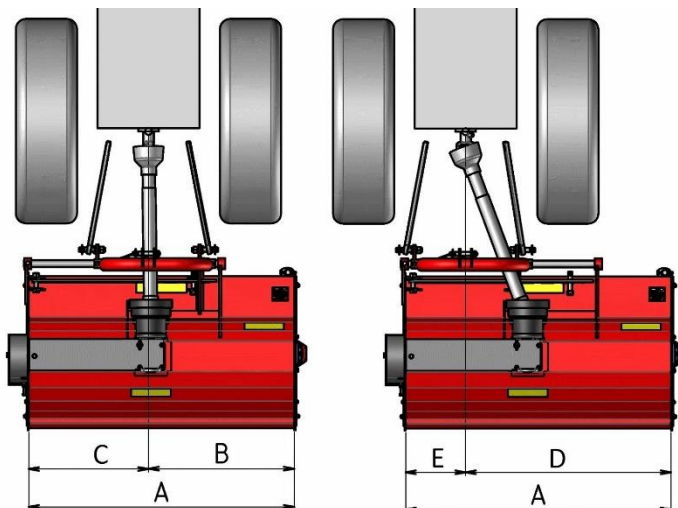
**Security, ergonomic:** lateral deflectors adjustable, front flaps anti-projection, lifting eye in the centre of gravity for handling

Lubrication accessible without disassembly. Bearing and lubricators protected against impacts or cutting rejection.

**Option hydraulique :** Cylinder hoses with coupling 1/2" and valves for speed setting. Cylinder stroke 30 cm. A tractor with 2 double acting control valves is necessary

	(CV)	Number of tools			Overall dimensions	Weight (kg)
		"Y"	Paddles hammers	scarificators	L x l x h (cm)	
RBML115DG30	20/35	40	20	60	75 x 132 x 90	180
RBML130DG30	20/45	44	22	66	75 x 147 x 90	190

Serial Assembly with Y-knives

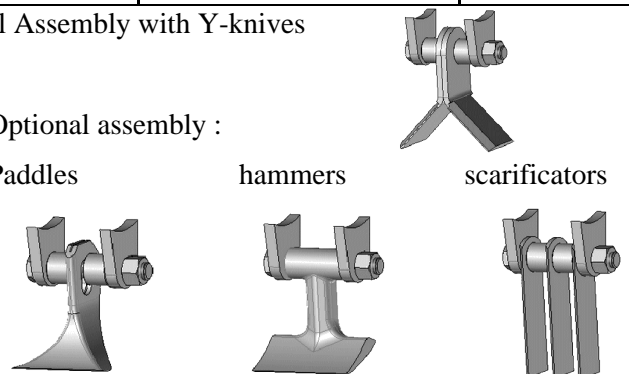


Optional assembly :

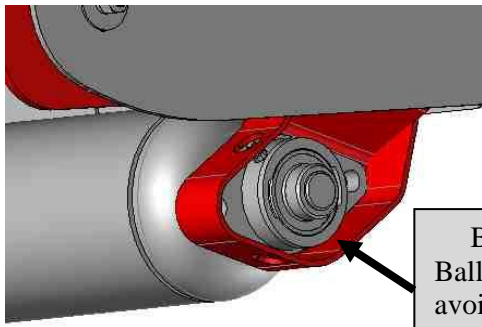
Paddles

hammers

scarificators

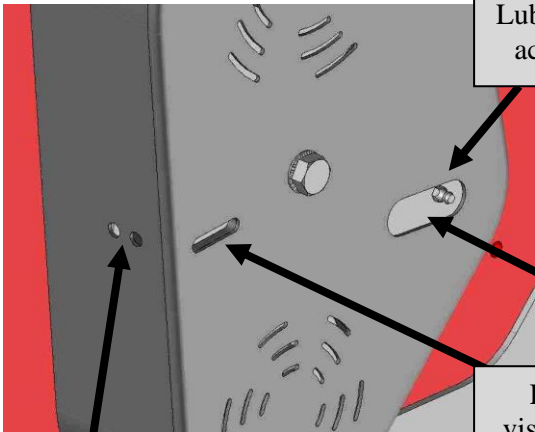
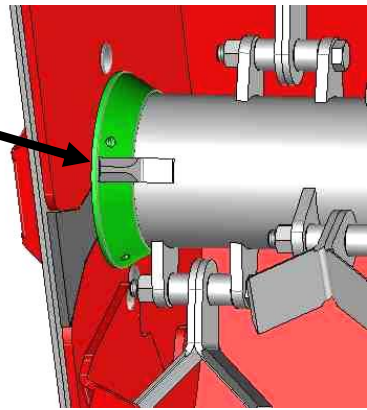


	A	B	C	D	E
RBML115DG30	115	55	60	85	30
RBML130DG30	130	70	60	100	30



Back tyre :  
Ball bearing to  
avoid grass jam

Mud scraper on  
rotor to avoid  
grass jam



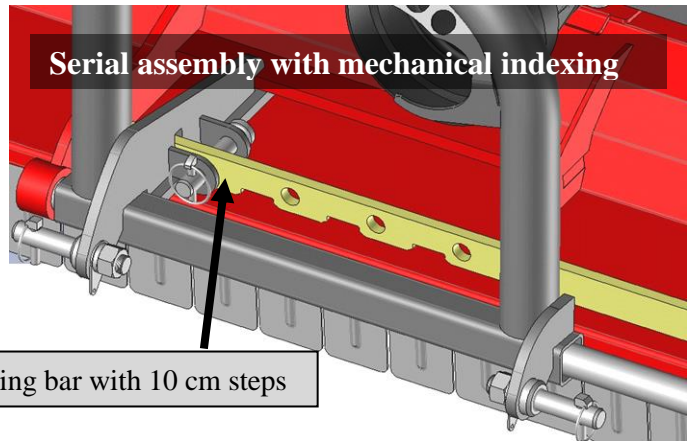
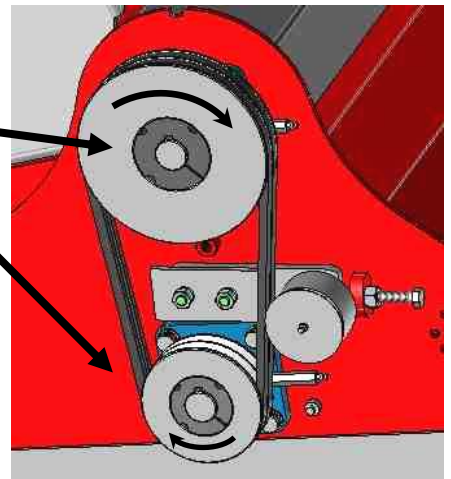
Opening to press belts with  
screw driver

Lubrication  
accessible

Anti-intrusion  
roll fairing

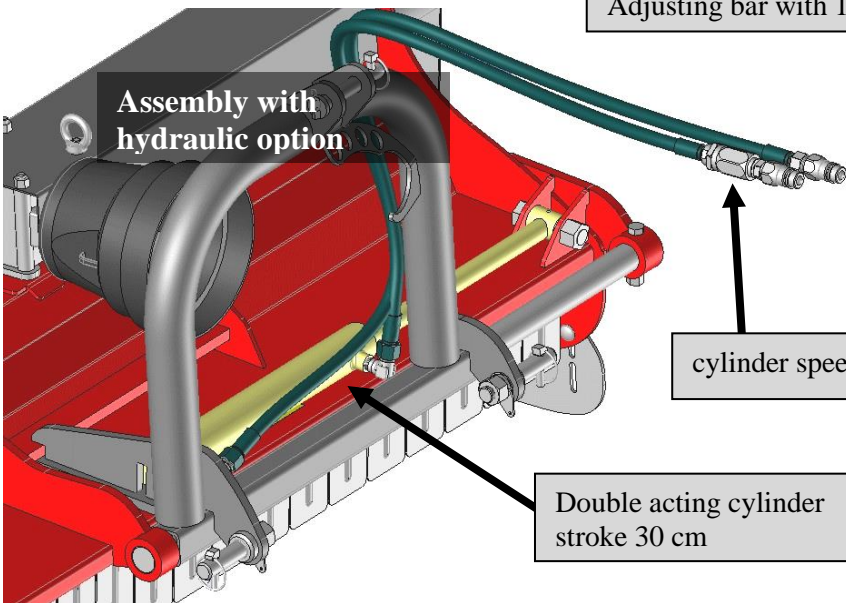
Light to  
visualize the  
tension

Assembly  
pulley  
eccentric ring +  
keyway



**Serial assembly with mechanical indexing**

Adjusting bar with 10 cm steps



**Assembly with  
hydraulic option**

cylinder speed adjustment

Double acting cylinder  
stroke 30 cm